

UTB UTILIBAY™ LED HIGHBAY

UTB | HUBBELL® UTILIBAY™ LED HIGHBAY | Industrial Lighting



UTILITY

noun

I. the state or quality of being useful; usefulness

adjective

II. having or made for a number of useful or practical purposes rather than a single, specialized one

VERSATILITY

- The Utilibay™ LED Highbay is available with 5 different reflector options and 3 different lens options
- The Utilibay™ LED Highbay is available in a high output version (28,000 lumens) and a medium output (18,000 lumens)
- Light weight construction for easy installation

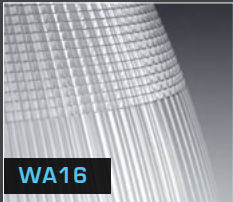
VALUE

- Industry leading lumens per dollar
- Built by Hubbell Lighting, known for high quality lighting fixtures
- Long lasting LED technology reduces maintenance costs

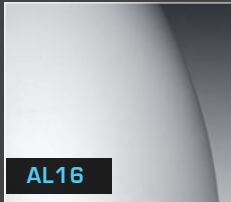
VISION

- Attractive appearance
- Symmetrical design for consistent installed results
- Five reflector options to meet any lighting need
- Three optional lenses to meet your shielding needs

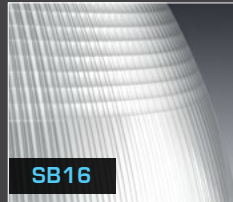
REFLECTOR OPTIONS



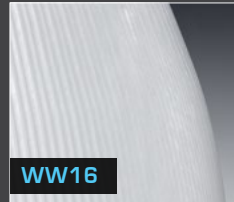
WA16



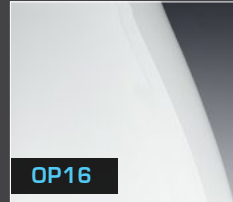
AL16



SB16



WW16



OP16

LENS OPTIONS



CDL

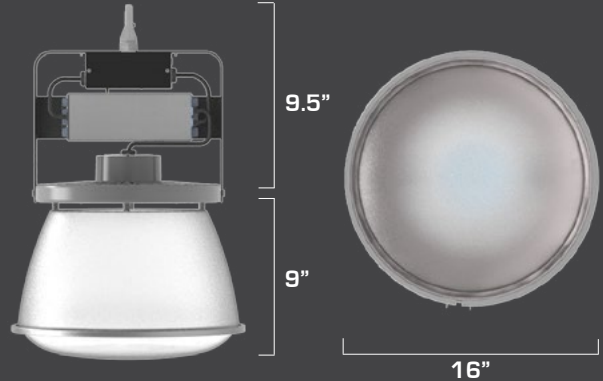


P95



DLR

DIMENSIONS



HUBBELL
Lighting

Due to our continued efforts to improve our products, specifications are subject to change without notice. © 2016 Hubbell Lighting. All Rights Reserved.

For more information visit our web site: <http://www.hubbellindustrial.com/>
Phone: 1-864-678-1000